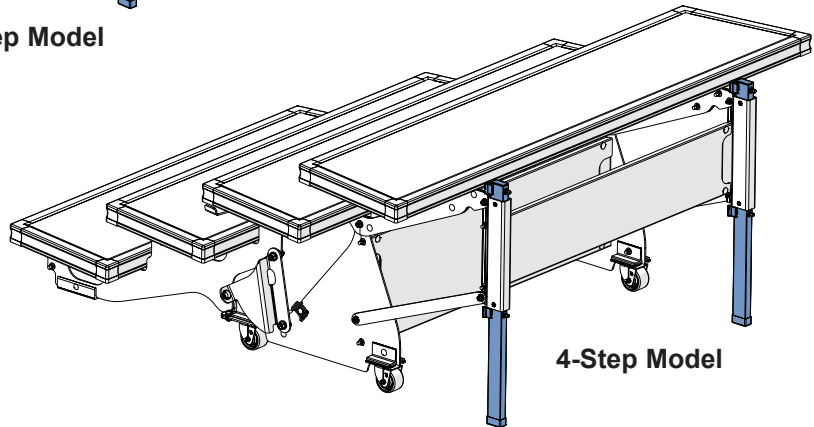
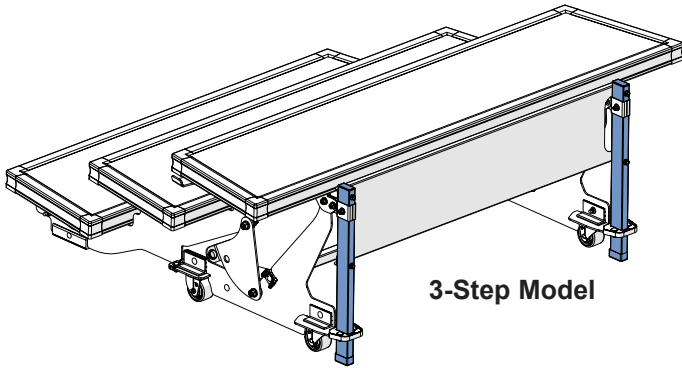


Basic Instructions only!
For more detailed product information, refer to the
**Signature Choral Riser 3-Step Model Assembly Instructions 098G498 or
Signature Choral Riser 4-Step Model Assembly Instructions 098G499.**

CAUTION
Make sure anyone assembling, installing or using this product has read and understands these instructions.

CAUTION
Failure to comply with Warnings and Cautions in this document or on the equipment can result in damage to property or injury.

CAUTION
Removal of the backrail introduces a potential fall hazard that can result in injury. Make sure anyone using the riser is of appropriate age and is aware of the potential risk.



Contents

Required Tools	2	Installation for 3-Step Models	3
Parts List for 3-Step Model	2	Installation for 4-Step Models	8
Parts List for 4-Step Model	2		



Visit the Signature Choral Risers web page at wengercorp.com for more information.

Note: Please read and understand these instructions before proceeding.
Note: If you need additional information, contact Wenger Corporation using the information below.

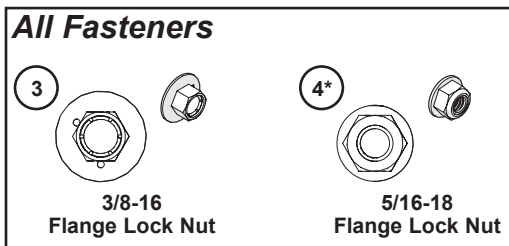
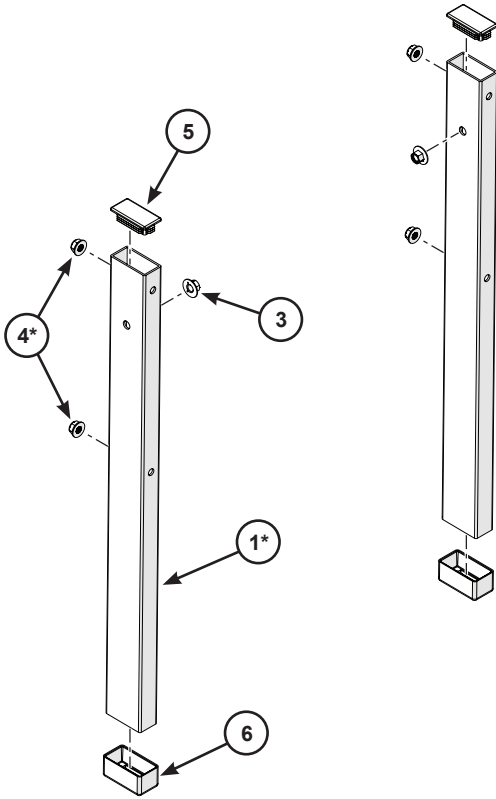
Required Tools

- Combination wrenches or ratchets:
 1/2" for 5/16-18 flange lock nuts
 9/16" for 3/8-16 flange lock nuts

Parts List for 3-Step Model

Item	Qty	Description
1*	2	3-Step Backrail Removal Tube
3	2	3/8-16 Flange Lock Nut
4*	4	5/16-18 Flange Lock Nut
5	2	1" x 2" Plug
6	2	1" x 2" Cap

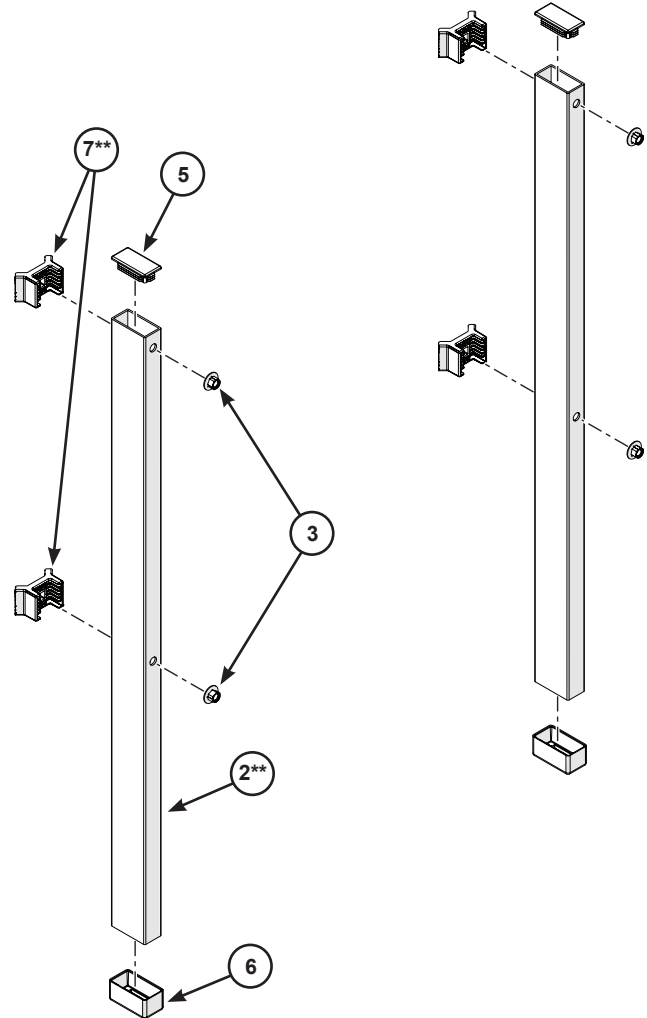
*3-Step model only



Parts List for 4-Step Model

Item	Qty	Description
2**	2	4-Step Backrail Removal Tube
3	4	3/8-16 Flange Lock Nut
5	2	1" x 2" Plug
6	2	1" x 2" Cap
7**	4	Backrail Stop Block

**4-Step model only



Installation for 3-Step Models



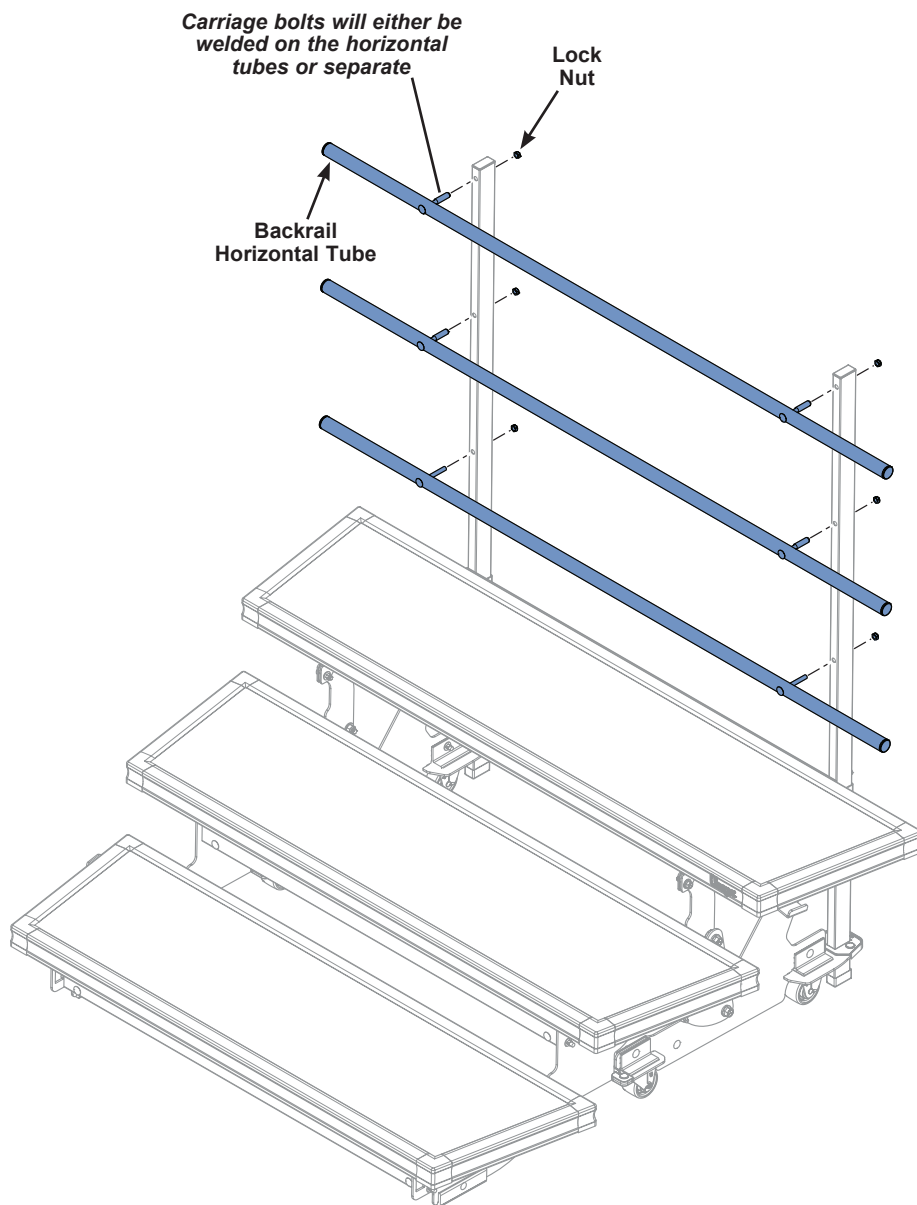
The backrail removal kit can be installed on either 3-Step or 4-Step Model Signature Choral Risers. This is the procedure for installing on 3-step models! For installing on 4-step models, go to page 8.

1. With the riser in the Performance Position as shown, remove the backrail horizontal tubes and set them aside with the lock nuts.

NOTICE

Depending on the riser model year, the carriage bolts will either be welded on the backrail horizontal tubes or separate.

Attach the lock nuts (and carriage bolts if separate) back onto the horizontal tubes for safe-keeping so the riser can be converted back to the original configuration if needed.



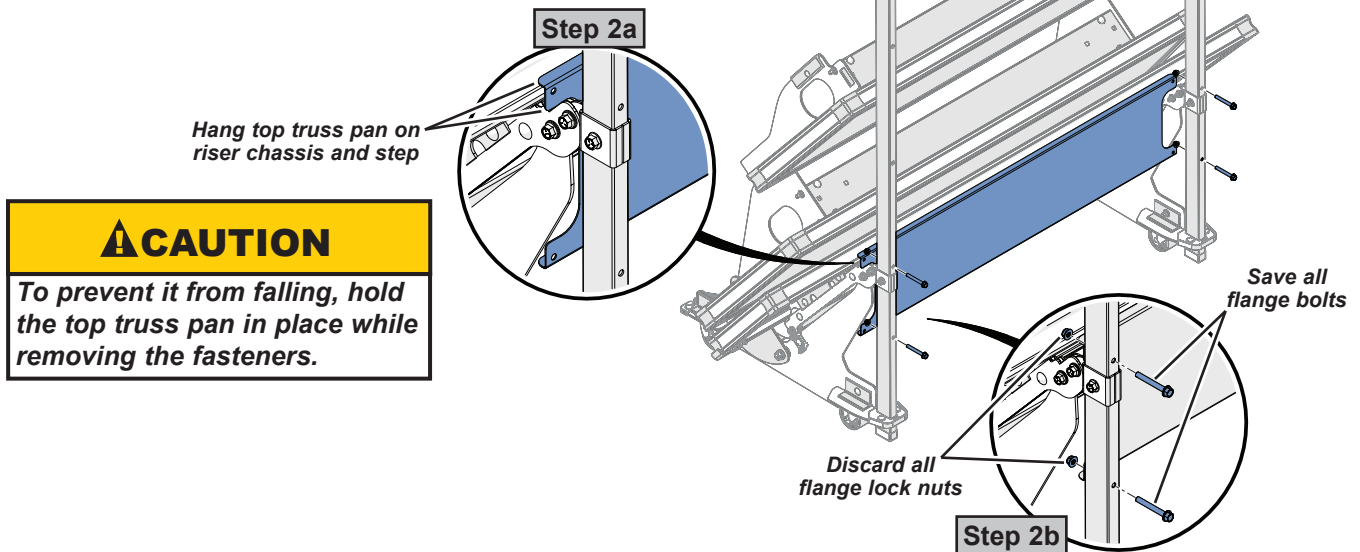
Installation for 3-Step Models (continued)

2. Put the riser into the Storage Position as shown and detach the top truss pan.

- a. While holding the top truss pan in place, remove the four 5/16-18 x 2-1/2" flange bolts and 5/16-18 flange lock nuts (4).

Save the flange bolts to reattach the top truss pan later, the flange lock nuts can be discarded.

- b. When detached, the top truss pan can be hung on the riser chassis and step as shown until it is reattached.



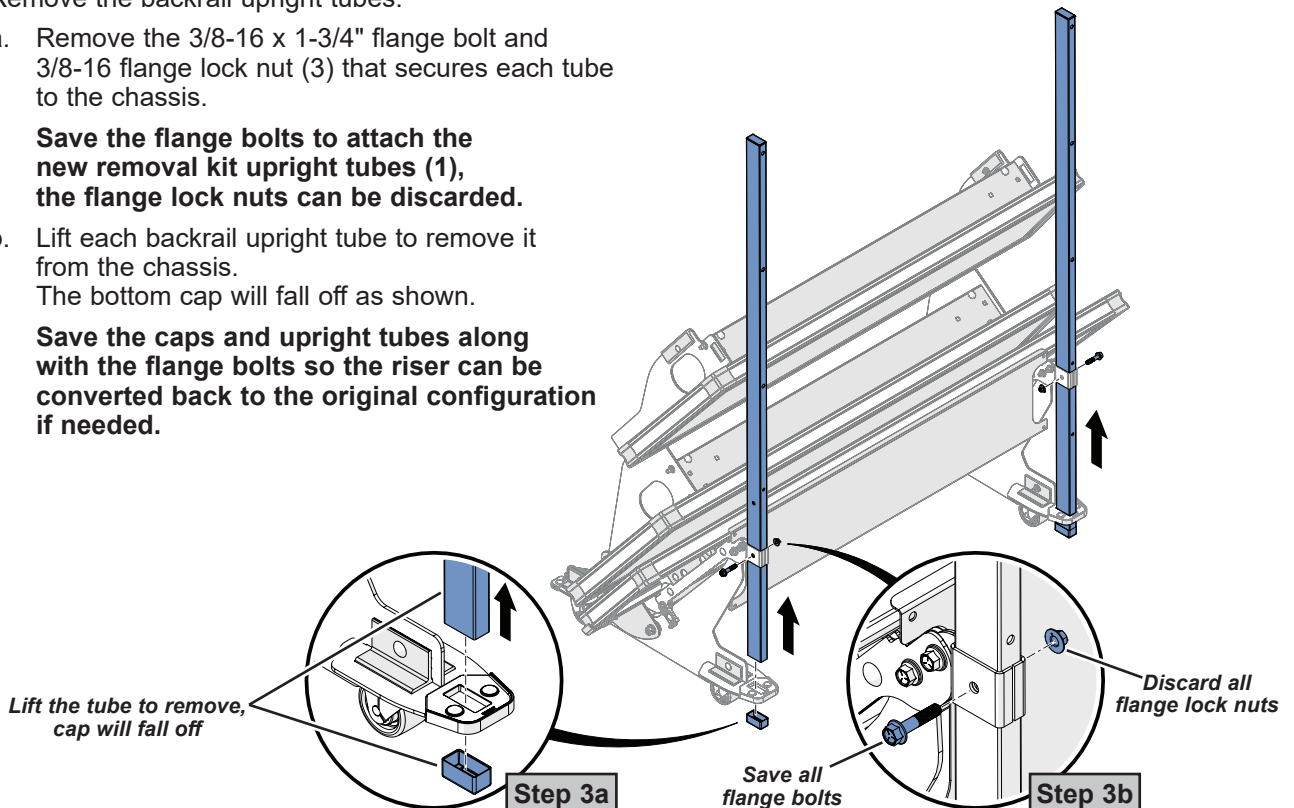
3. Remove the backrail upright tubes.

- a. Remove the 3/8-16 x 1-3/4" flange bolt and 3/8-16 flange lock nut (3) that secures each tube to the chassis.

Save the flange bolts to attach the new removal kit upright tubes (1), the flange lock nuts can be discarded.

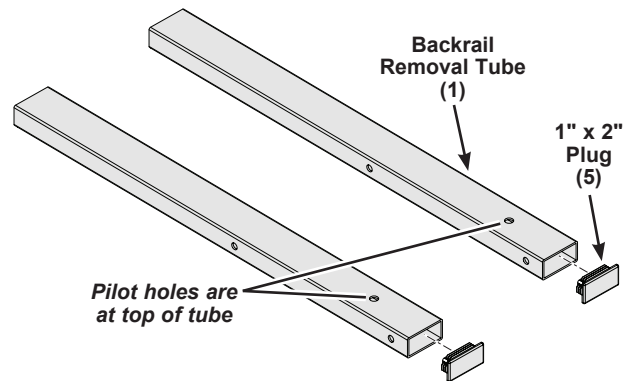
- b. Lift each backrail upright tube to remove it from the chassis.
The bottom cap will fall off as shown.

Save the caps and upright tubes along with the flange bolts so the riser can be converted back to the original configuration if needed.

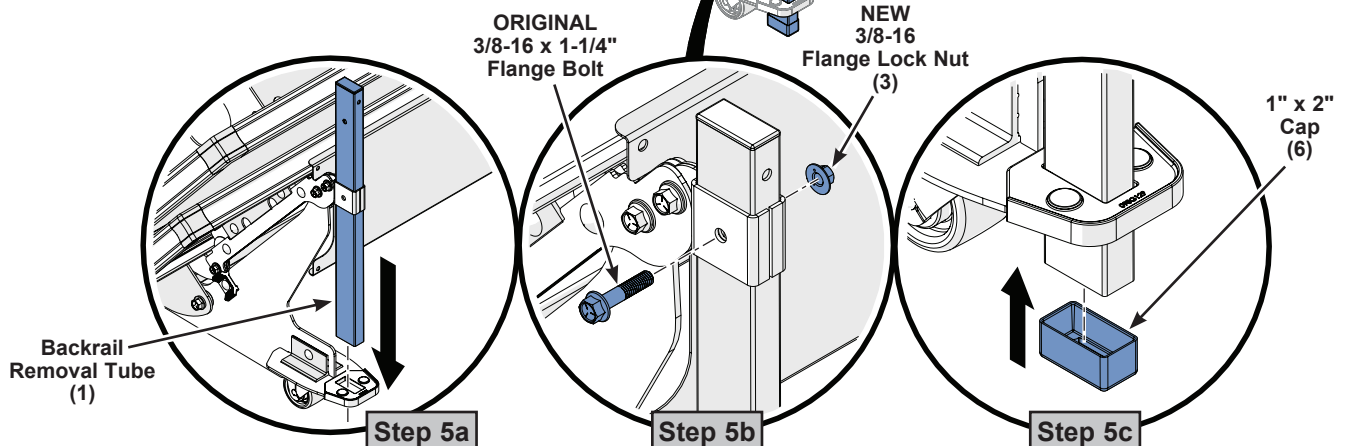
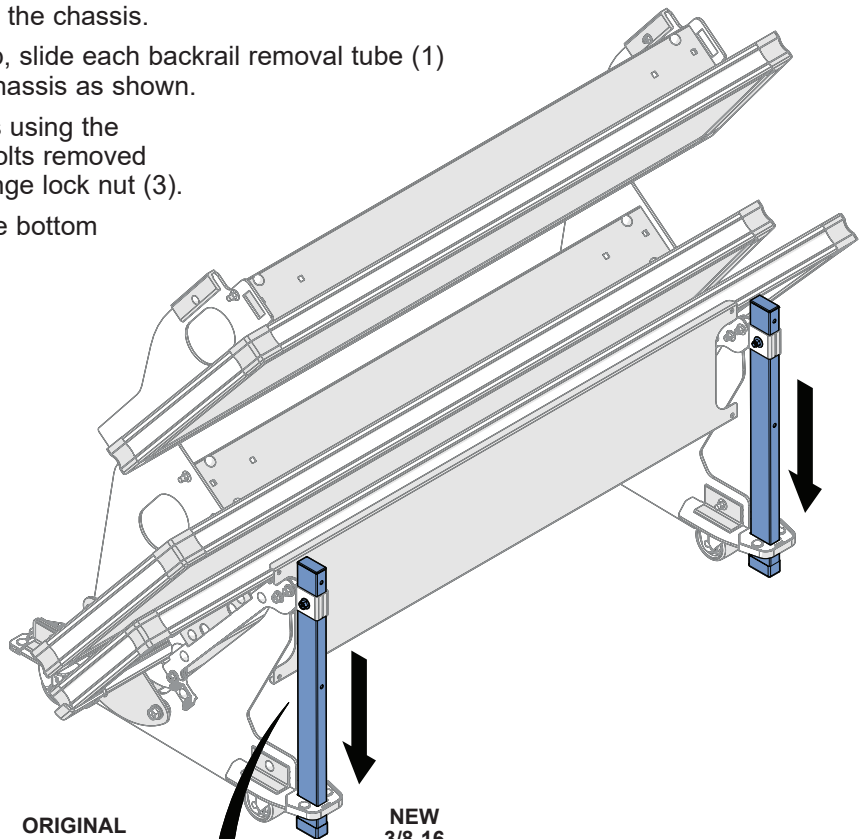


Installation for 3-Step Models (continued)

4. Push one 1" x 2" plug (5) into the top of each backrail removal tube (1) as shown.
- For orientation, the pilot holes are closest to the top of the tube.

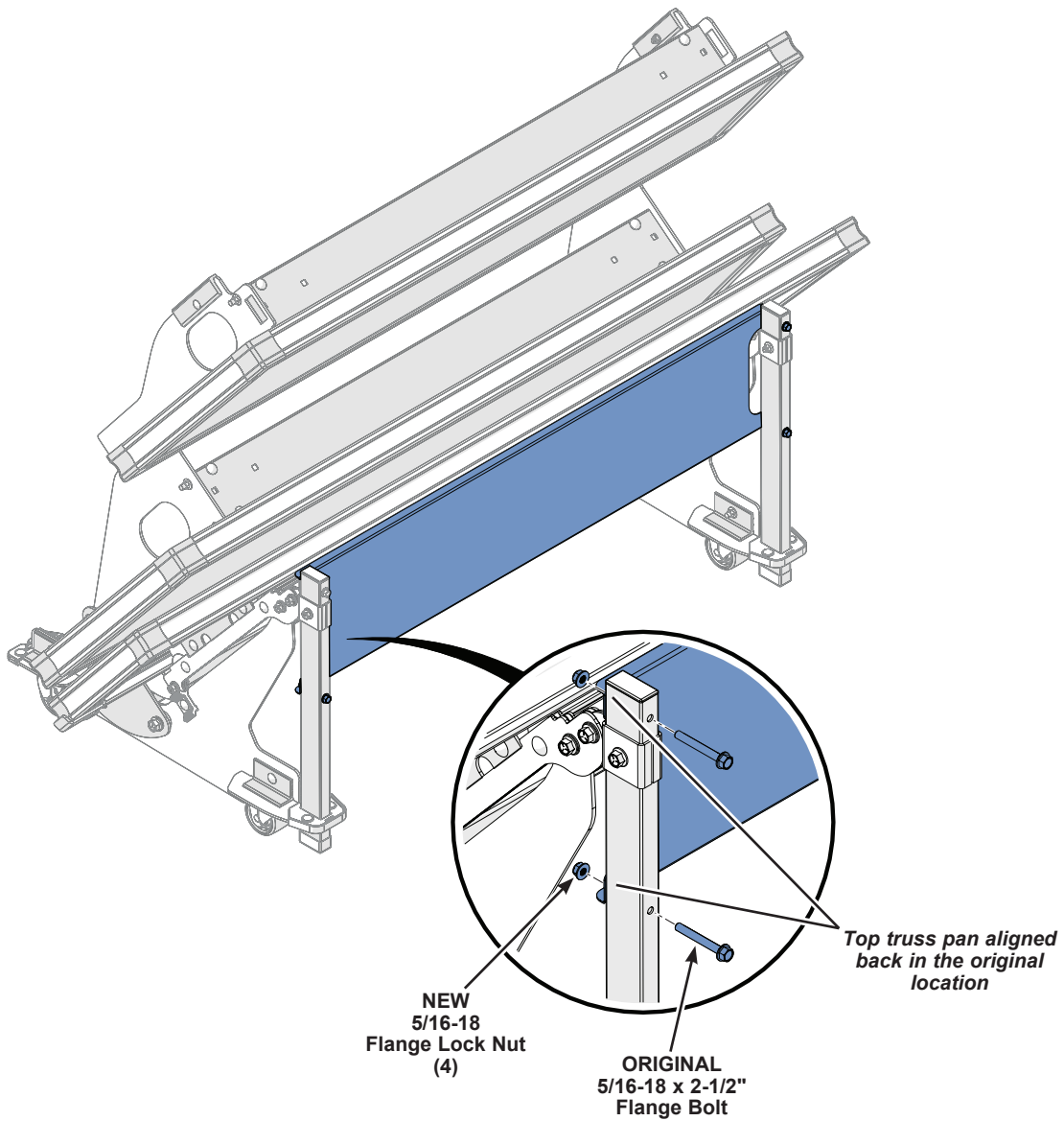


5. Attach the backrail removal tubes to the chassis.
- With the installed plug at the top, slide each backrail removal tube (1) into the backrail clamp on the chassis as shown.
 - Attach both tubes to the chassis using the original 3/8-16 x 1-3/4" flange bolts removed in step 3a and a new 3/8-16 flange lock nut (3).
 - Push one 1" x 2" cap (6) into the bottom of both backrail removal tubes.



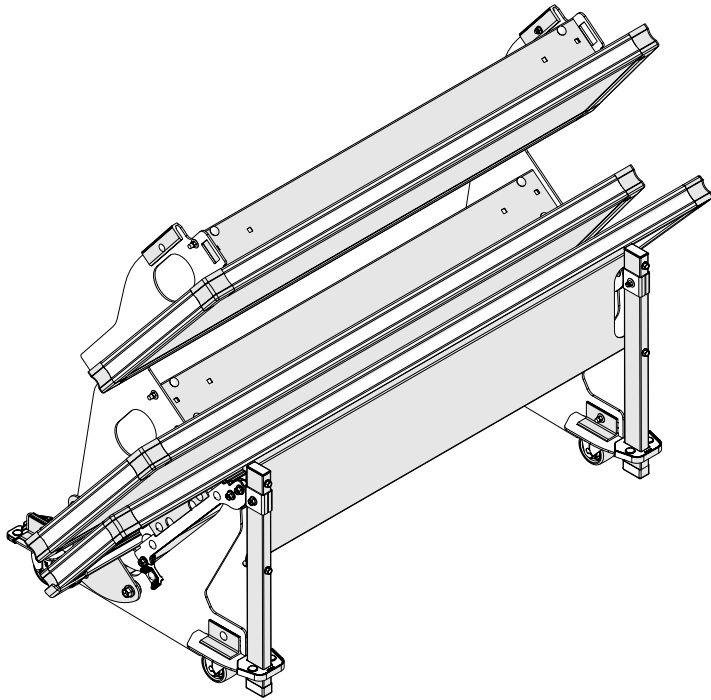
Installation for 3-Step Models (continued)

6. Reattach the top truss pan.
 - a. Reposition the top truss pan to align the pilot holes with the holes in the backrail removal tubes.
 - b. While holding in place, attach the top truss pan to both backrail removal tubes using the original four 5/16-18 x 2-1/2" flange bolts and new 5/16-18 flange lock nuts (4).

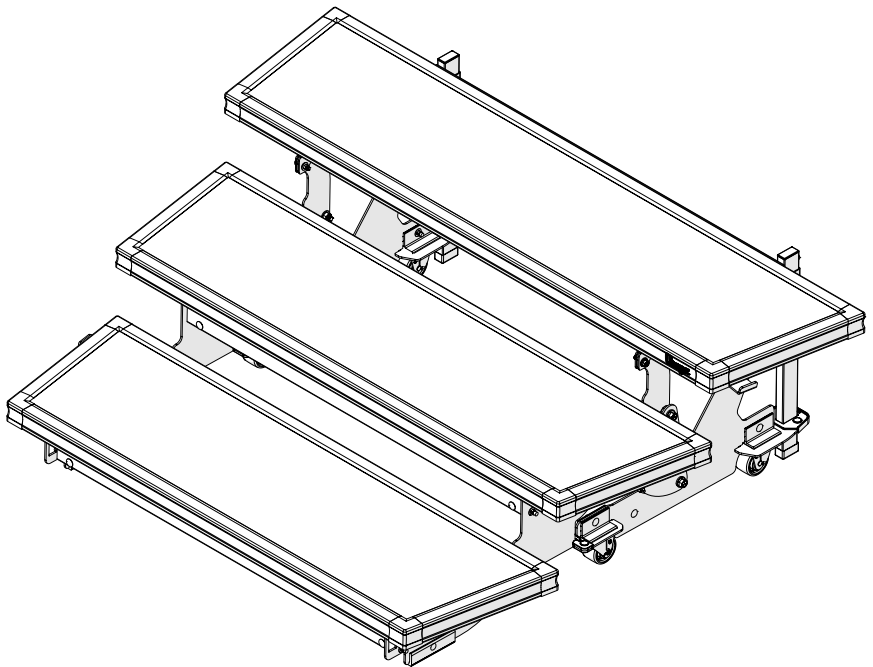


Installation for 3-Step Models (continued)

7. The backrail removal kit is now installed and ready for use.
Save all removed components to convert the riser back to its original configuration.



**Backrail Removal Kit Installed on
3-Step Riser in Storage Position**



**Backrail Removal Kit Installed on
3-Step Riser in Performance Position**

Installation for 4-Step Models



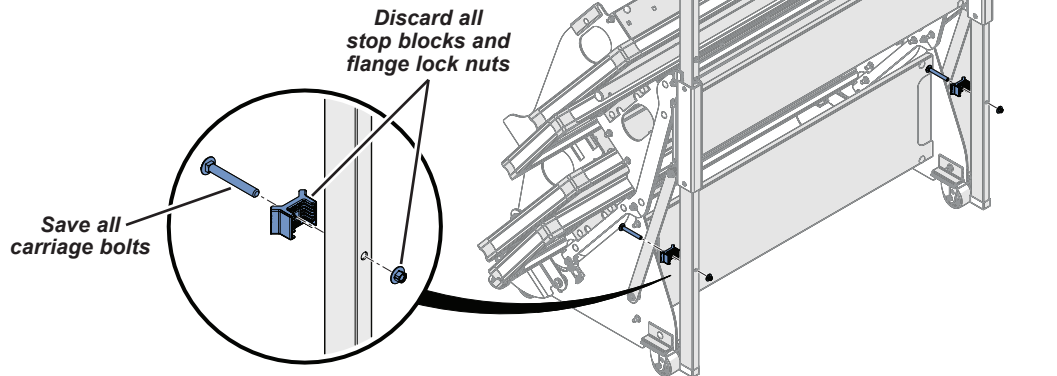
The backrail removal kit can be installed on either 3-Step or 4-Step Model Signature Choral Risers. This is the procedure for installing on 4-step models! For installing on 3-step models, go to page 3.

1. With the riser in the Storage Position as shown, remove the two lower stop blocks (7), 3/8-16 x 3" carriage bolts and 3/8-16 flange lock nuts (3).

Save the carriage bolts to attach new stop blocks later, the flange lock nuts and stop blocks can be discarded.

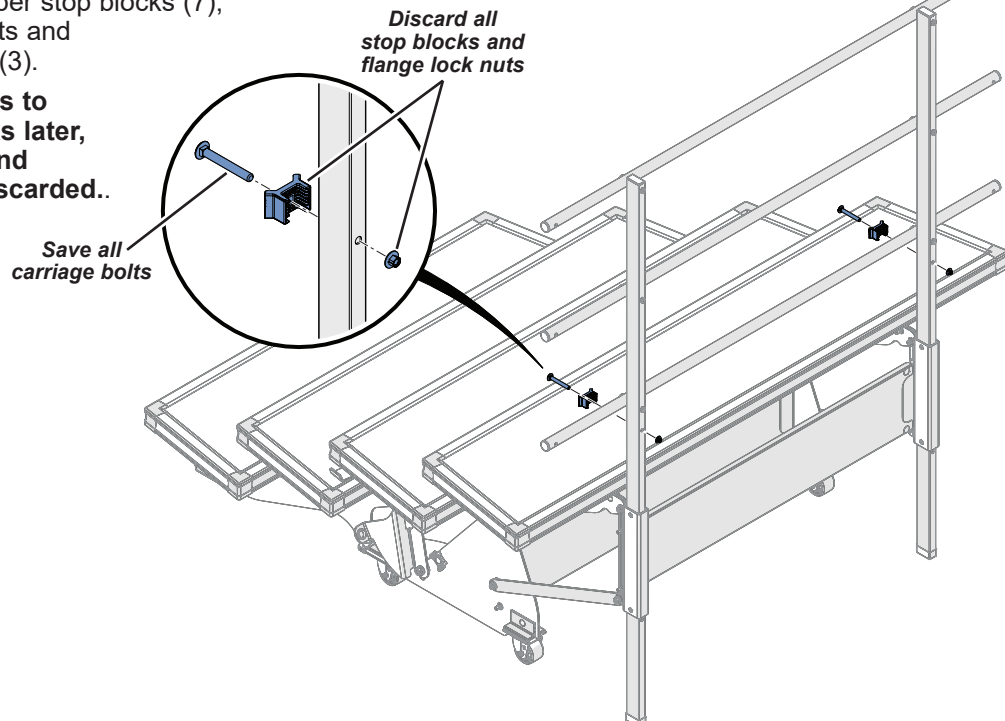
⚠ WARNING

The top step is now structurally unsupported, do not put any additional weight on it or damage will occur.



2. Put the riser into the Performance Position as shown and remove the two upper stop blocks (7), 3/8-16 x 3" carriage bolts and 3/8-16 flange lock nuts (3).

Save the carriage bolts to attach new stop blocks later, the flange lock nuts and stop blocks can be discarded..



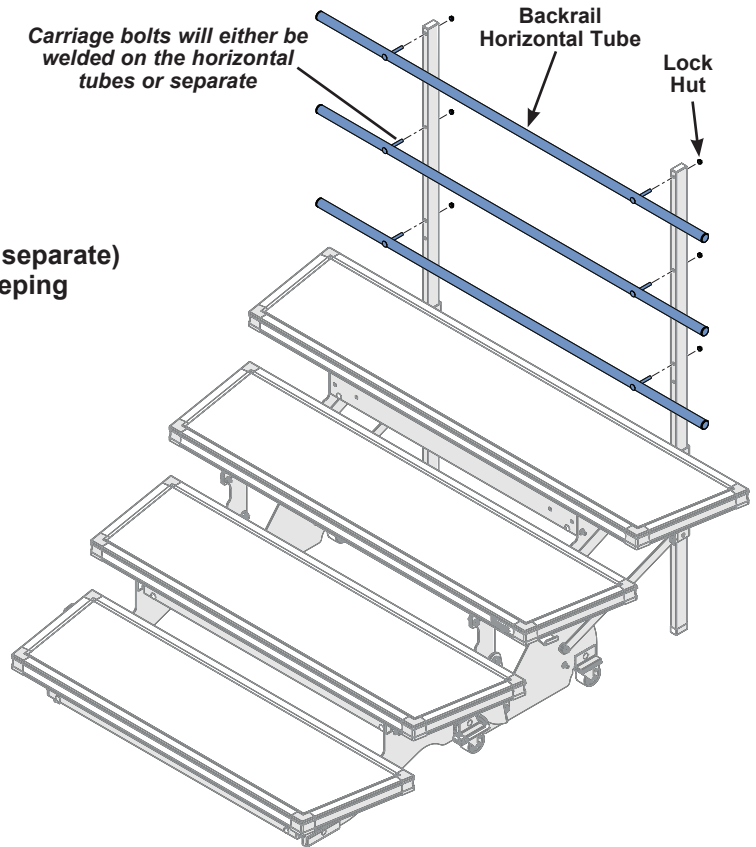
Installation for 4-Step Models (continued)

3. Remove the backrail horizontal tubes and set them aside with the lock nuts.

NOTICE

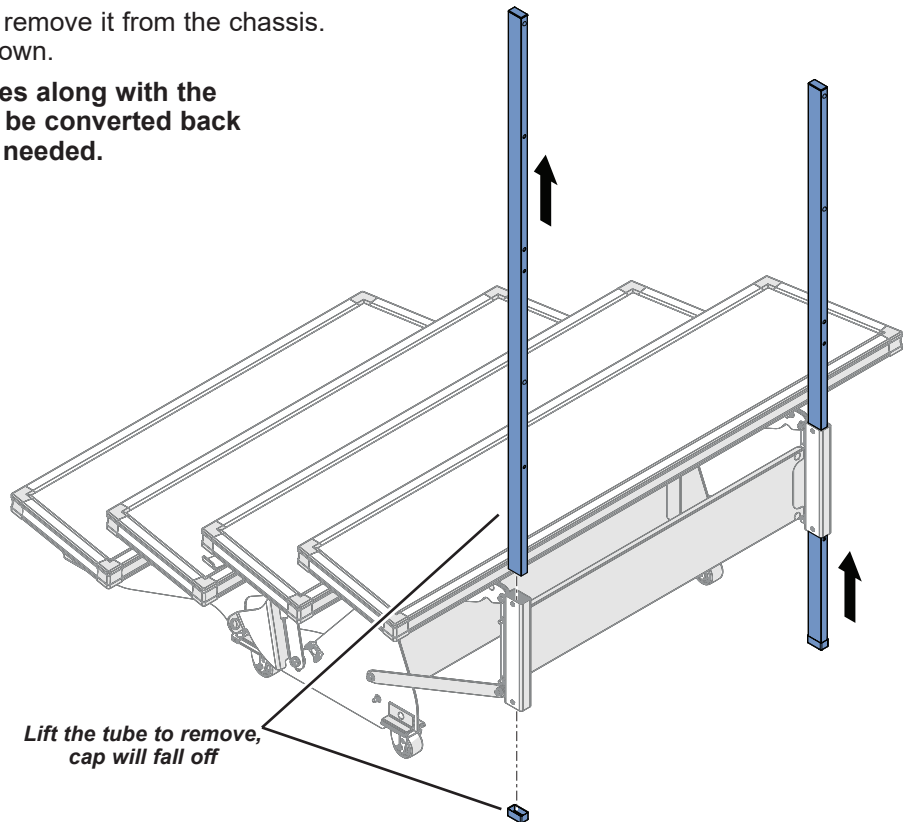
Depending on the riser model year, the carriage bolts will either be welded on the backrail horizontal tubes or separate.

Attach the lock nuts (and carriage bolts if separate) back onto the horizontal tubes for safe-keeping so the riser can be converted back to the original configuration if needed.



4. Lift each backrail upright tube to remove it from the chassis. The bottom cap will fall off as shown.

Save the caps and upright tubes along with the carriage bolts so the riser can be converted back to the original configuration if needed.

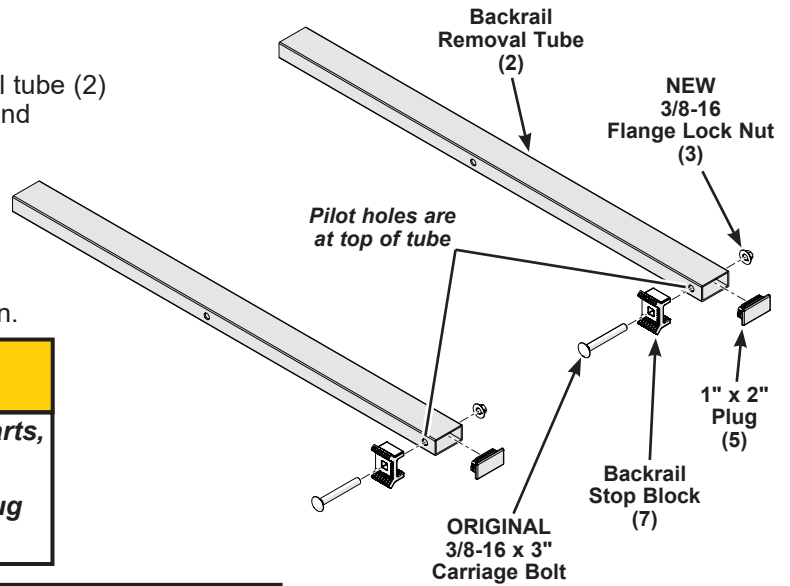


Installation for 4-Step Models (continued)

5. Assemble the backrail removal tubes.
 - a. Attach one new backrail stop block (7) toward the top on each backrail removal tube (2) using a new 3/8-16 flange lock nut (3) and an original 3/8-16 x 3" carriage bolts removed in step 1a.

For orientation, the pilot holes are closest to the top of the tube.

- b. Push one 1" x 2" plug (5) into the top of each backrail removal tube (1) as shown.



CAUTION

When using power tools to install plastic parts, do not over-tighten, crush or damage parts.

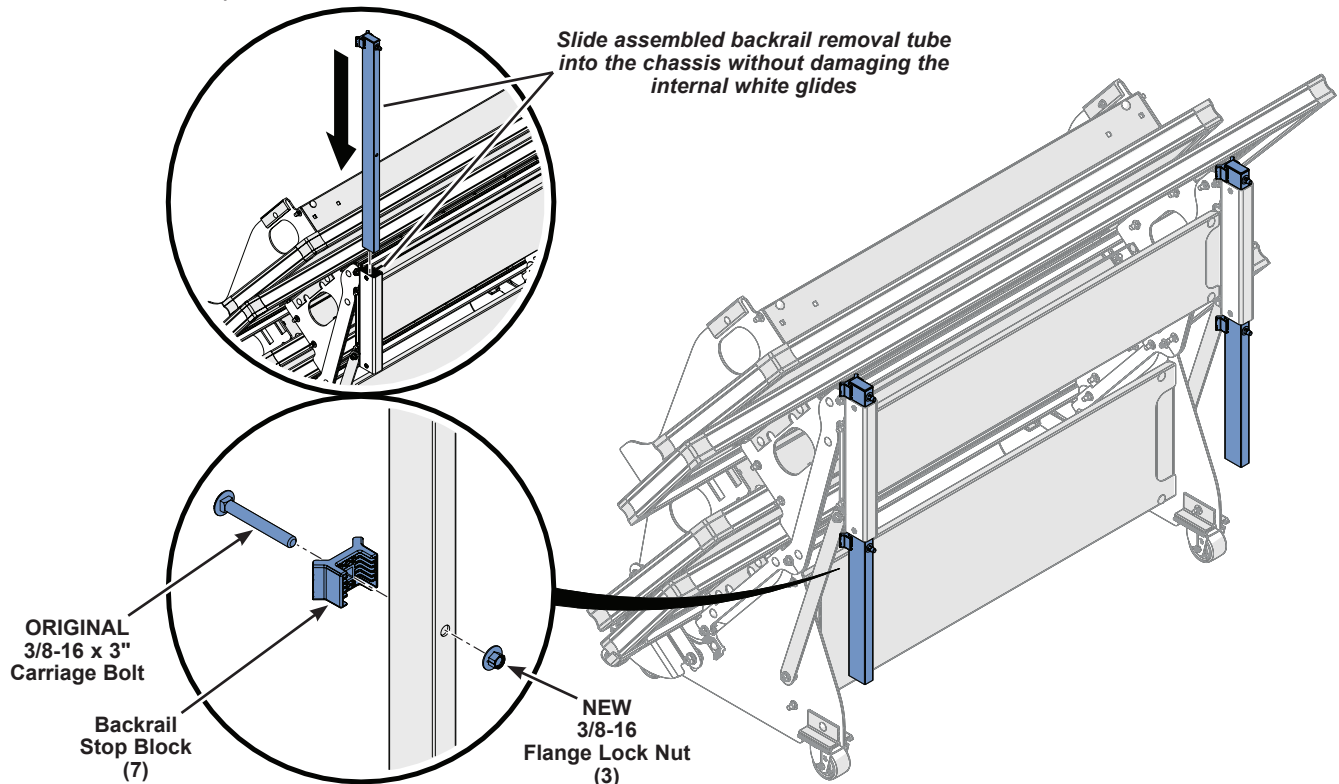
Fasteners for plastic parts need only be snug to remove any gaps.

WARNING

Riser will not function properly without the stop blocks installed.

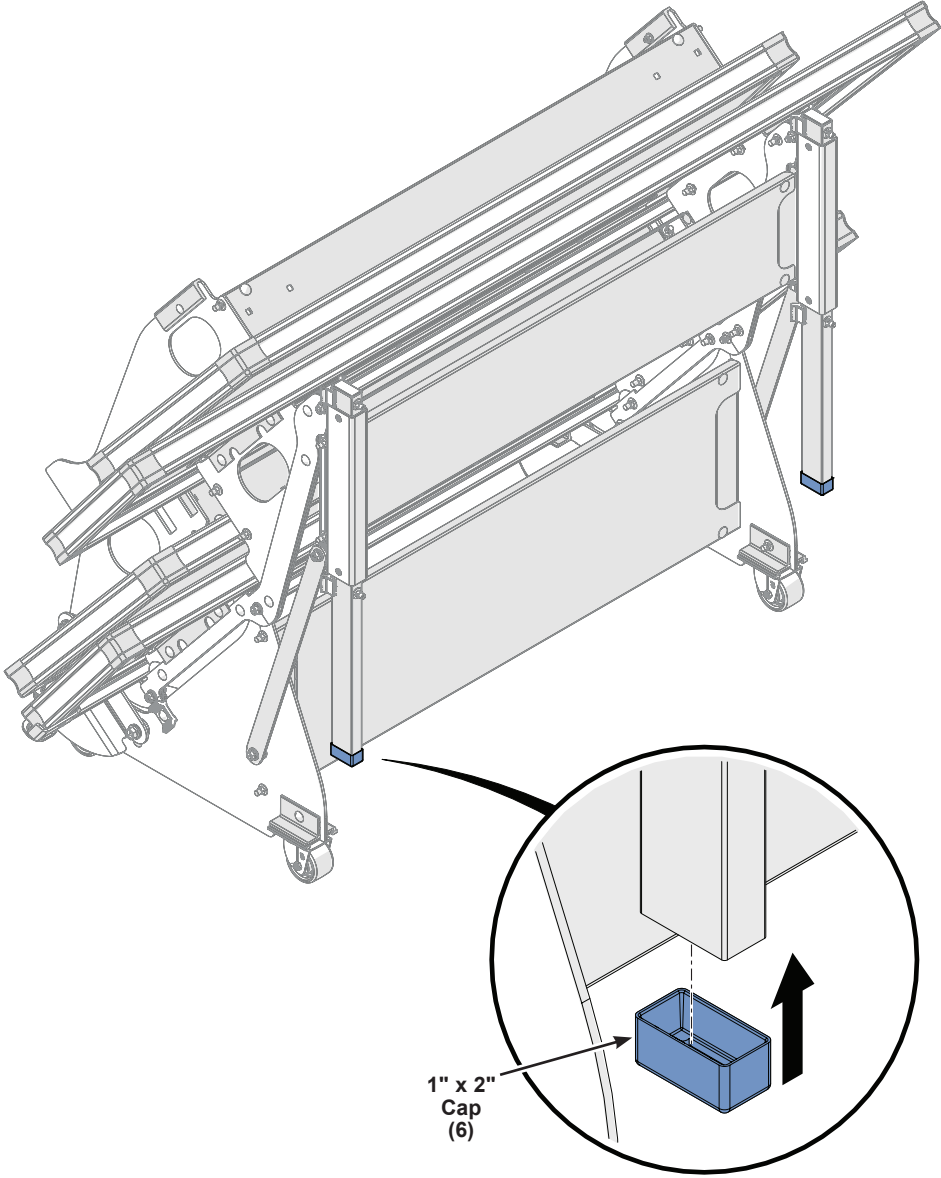
Failure to install the stop blocks will void the product warranty.

6. With the installed plug and stop block at the top, slide each backrail removal tube into the chassis as shown. **Take care not to damage the white glides inside of the chassis.**
7. Put the riser into the Storage Position and attach one new bottom backrail stop block (7) on each backrail removal tube (2) using a new 3/8-16 flange lock nut (3) and an original 3/8-16 x 3" carriage bolts removed in step 1a.



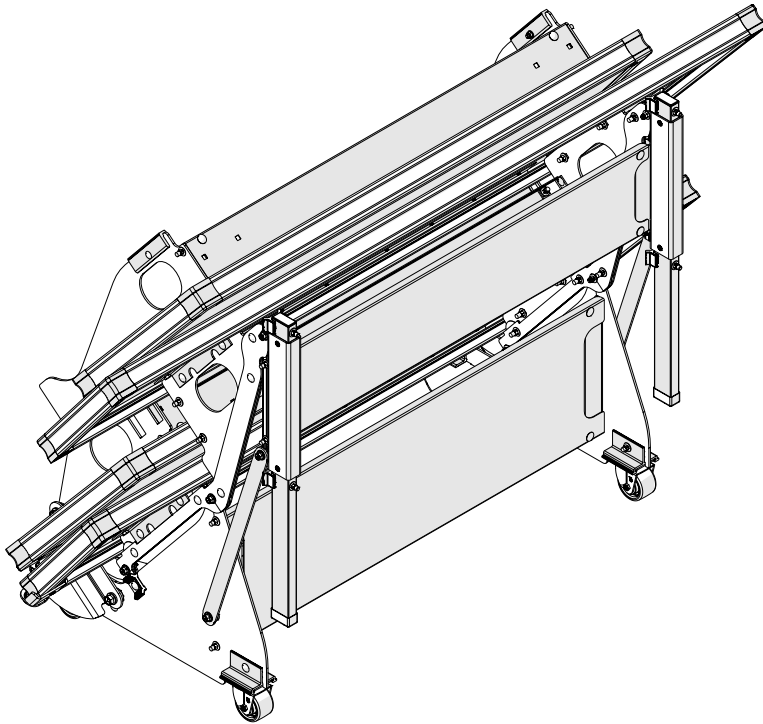
Installation for 4-Step Models (continued)

8. Push one 1" x 2" cap (6) into the bottom of both backrail removal tubes.

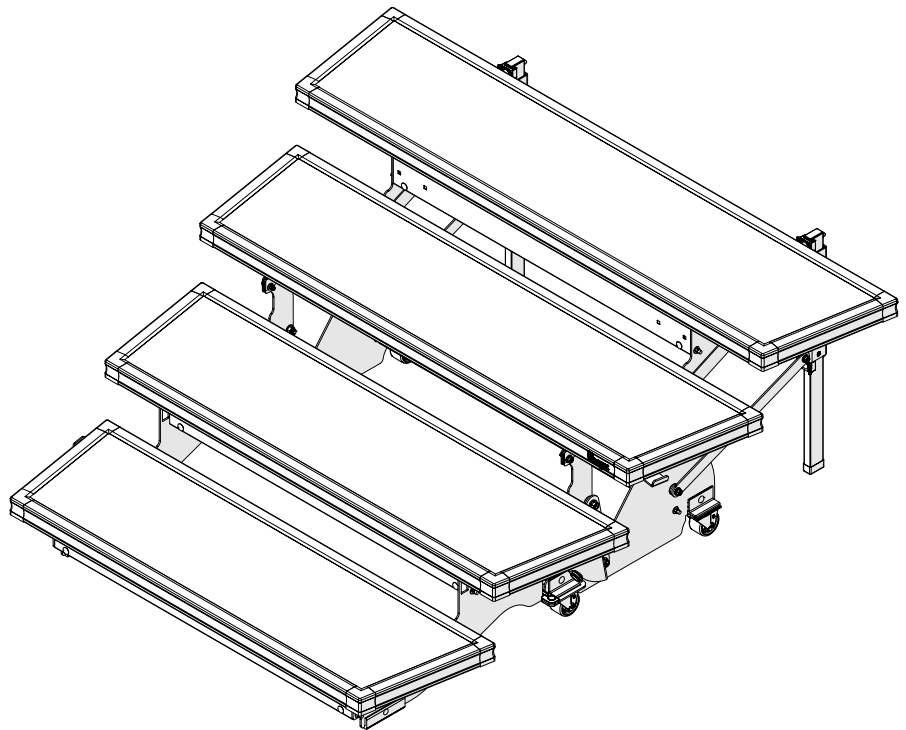


Installation for 4-Step Models (continued)

9. The backrail removal kit is now installed and ready for use.
Save all removed components to convert the riser back to its original configuration.



**Backrail Removal Kit Installed on
4-Step Riser in Storage Position**



**Backrail Removal Kit Installed on
4-Step Riser in Performance Position**